

DATA SHEET

BCP 100 PD

CLAW COMPRESSORS

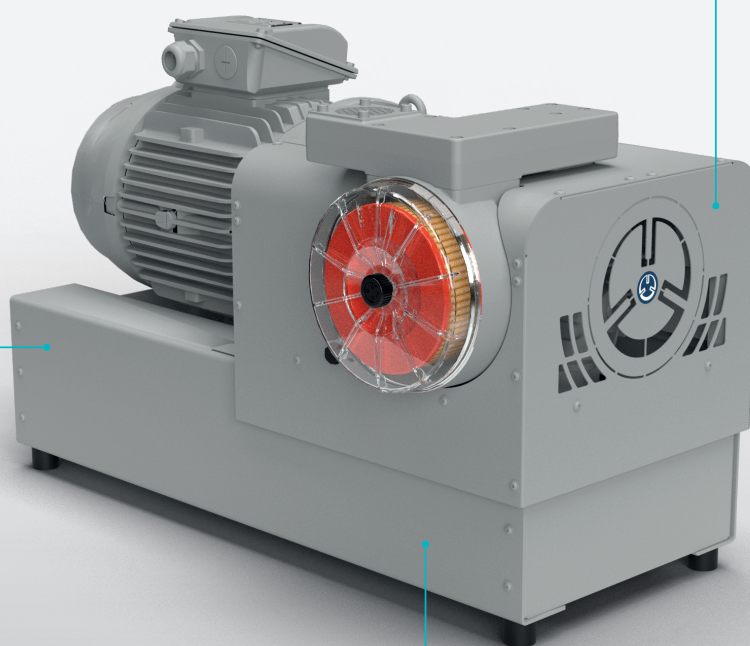
dry and contact free compression
air-cooled

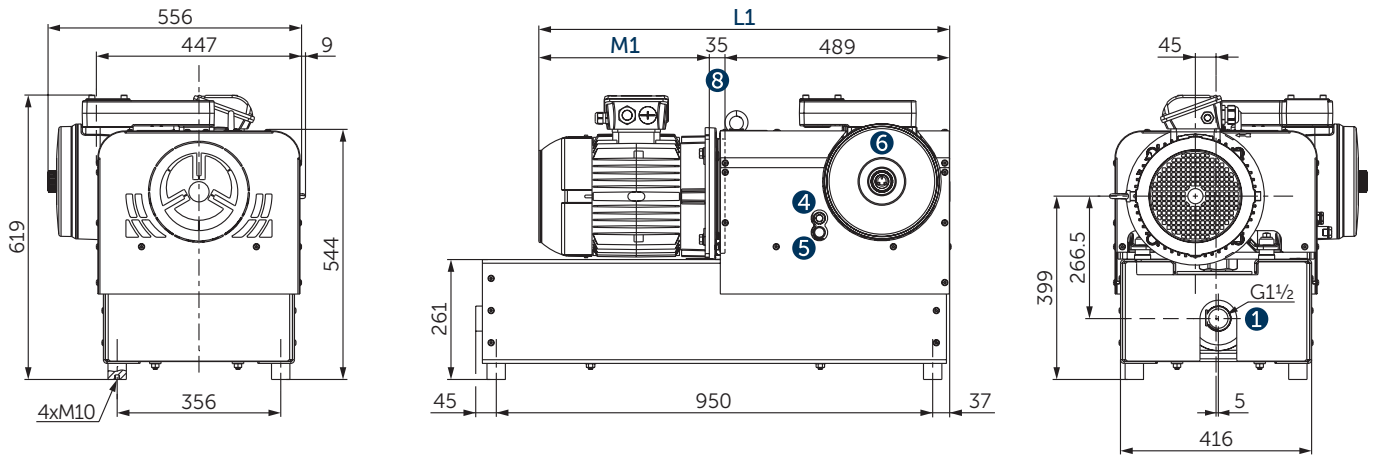
MAKE IT BECKER.

**PULSATION
DAMPER**

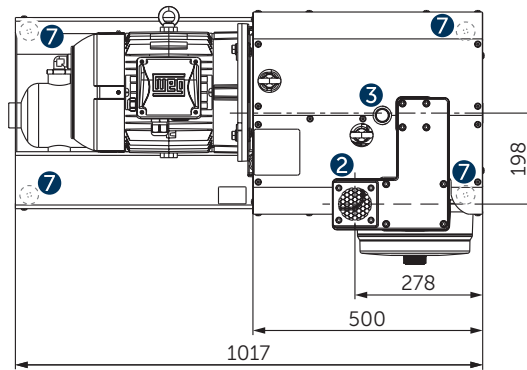
**DRY AND
CONTACT FREE
COMPRESSION**

**INTERNAL FILTRATION WITH
TRANSPARENT COVER**





- 1 Pressure connection (G1¹/₂)
- 2 Suction side
- 3 Oil filler cap
- 4 Oil sight glass
- 5 Screw plug for oil drain
- 6 Suction filter
- 7 Rubber buffer position
- 8 Partly with intermediate flange
- L Overall device length **L1** with motor.
- L1** and **M1** are variable, see separate motor specification sheet.
- The motor illustration may vary.
- Dimensions in mm

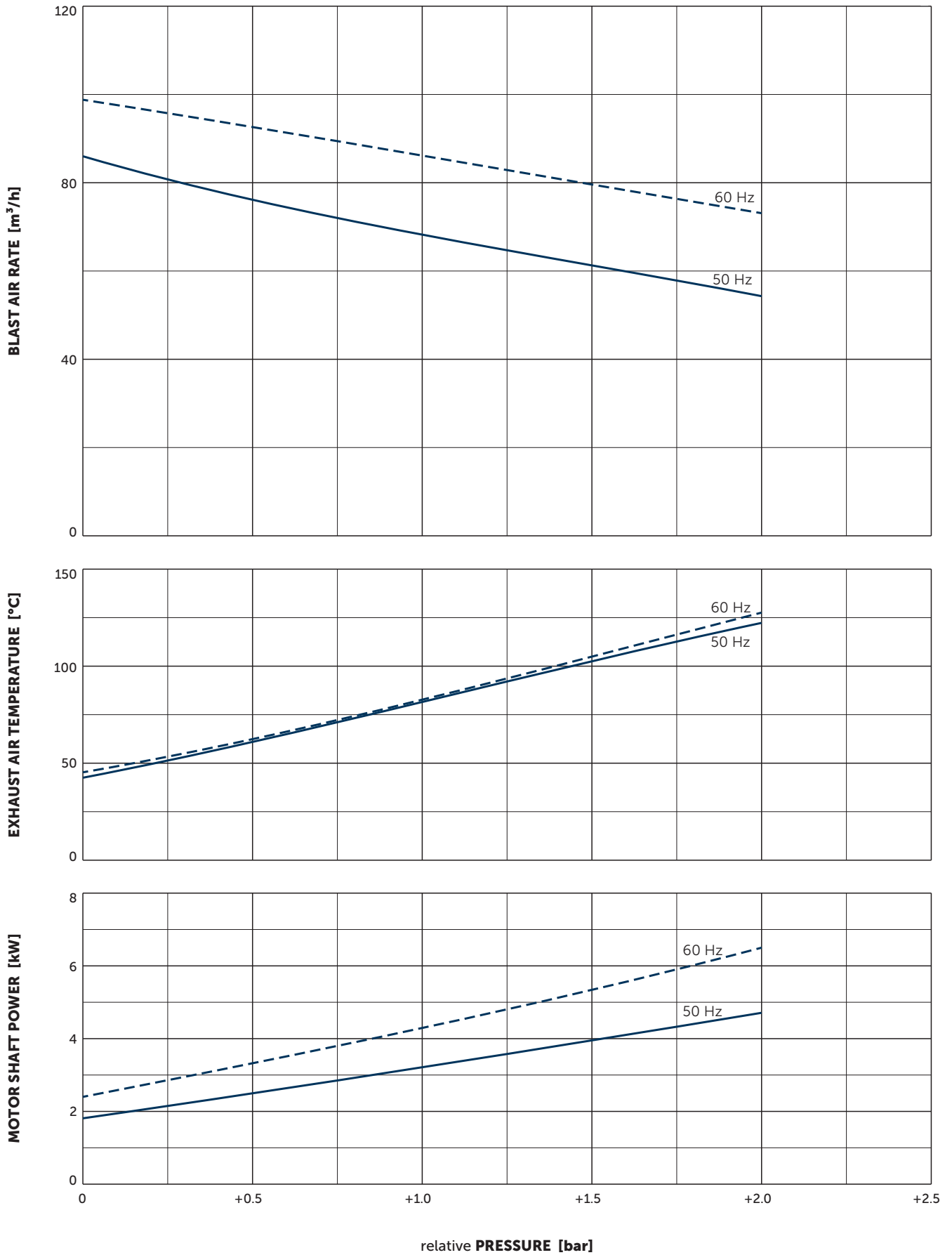


Nominal capacity		Pressure relative ¹⁾	Installed motor power		Emission sound pressure level ²⁾		Weight without motor
m ³ /h			kW		dB(A)		
50 Hz	60 Hz	bar	50 Hz	60 Hz	50 Hz	60 Hz	kg
100	120		+0.8/+1.3/+1.5/+2.0	3.0–7.5	3.0–7.5	82 (+1 bar) 83 (+2 bar)	

¹⁾ Motor-dependent, see separate motor specification sheet

²⁾ Emission sound pressure level L_{pA} (re 20 μ Pa) and sound power level L_{WA} (re 1 pW): The values were determined according to the noise measurement DIN EN ISO 9614-2:1996-12, the basic standard DIN EN ISO 2151:2009-01 and DIN EN ISO 11203. Data according to DIN EN ISO 4871. Measurement uncertainty K_{pA} and K_{WA} of 3 db. (sound power level: 98/100 dB(A), 50/60 Hz, +2 bar)

▪ Reference data (atmosphere): 1000 mbar, 20°C; Tolerance: $\pm 10\%$; Measurements with integrated filter



Reference data (atmosphere): 1000 mbar, 20°C
 Tolerance: ±10%
 Measurements with integrated filter

MAKE IT BECKER.

HOMEPAGE
BCP SERIES



DOWNLOAD
MOTOR SPECS.



ONLINE SHOP

